

Cross Section Drawing

Simplicity Sliding Door 1 3/8" NailFin Setback Frame



CAD File Scale
NTS

View
Horizontal & Vertical

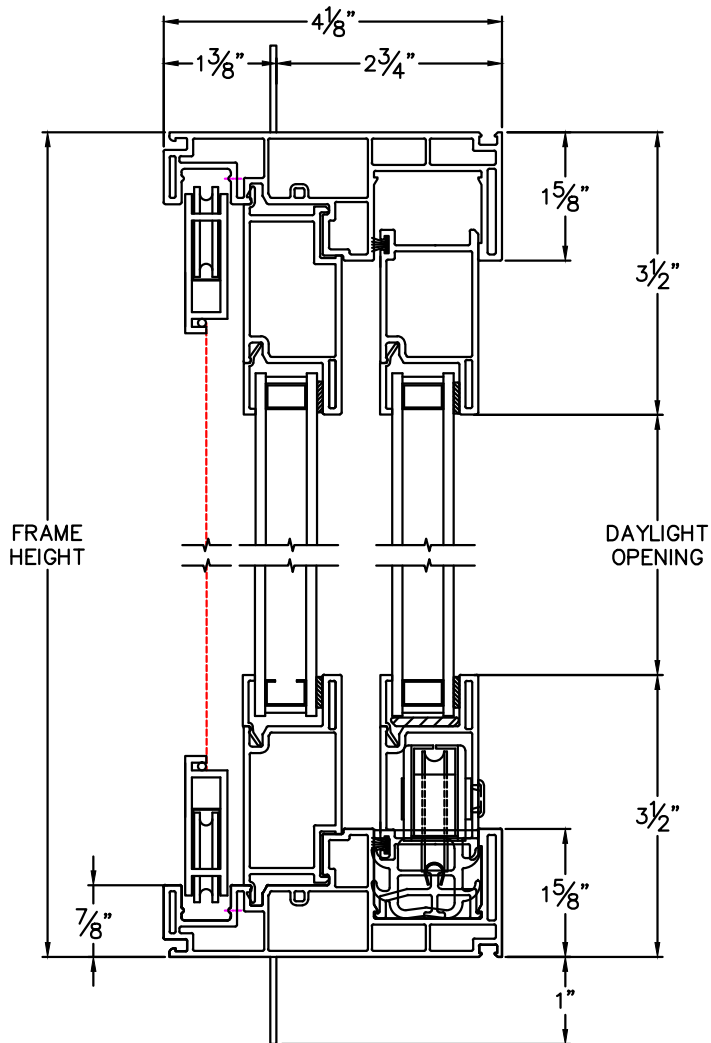
File Name
Simplicity_SGD_XO_1.375_setback

Units
Inch

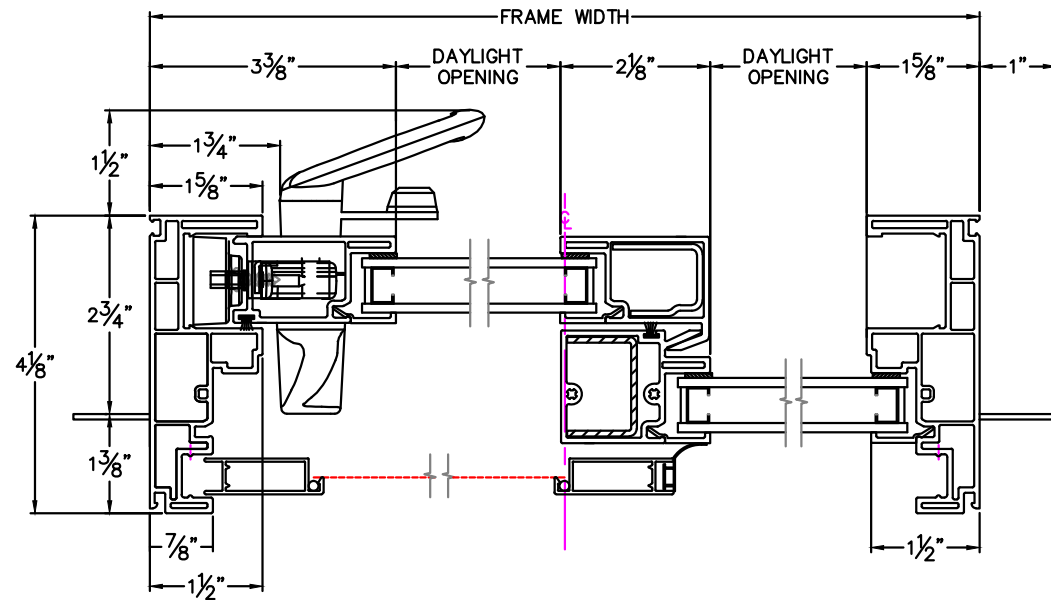
More Technical Documents can be found at www.buildwithsimplicity.com
Due to continual research and development, details may be changed at any time. ©2013 Milgard Mfg.

SLIDING DOOR SERIES 6616

Configuration XO shown
Configuration OX also available



HEAD & SILL



JAMBS